

FUTURE

Tomorrow starts today



CREATIONS | CONTROLVIEW

SEE ONLY WHAT YOU WANT

www.faglass.com

FUTURE | GLASS





CONTROLVIEW

Glass with integrated louvers & blinds

CONTROLVIEW offers optimum control over the light, heat and sound coming through glass panels across a variety of architectural applications. These precision engineered products comprise a system of louvers or blinds hermetically sealed within a double glazed glass cavity. Best of all, they are dust free, requires no maintenance, significantly reduce the Total Cost of Ownership and provide the perfect day lighting and privacy solution for commercial, residential, educational, healthcare or institutional environments.



Regulates
the internal
environmental
lighting levels

Applications



Windows



Sidelights



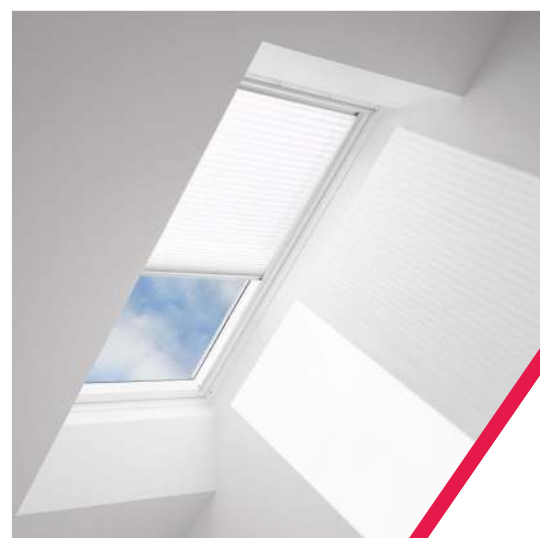
Interior Partitions



Doors



Curtain Walls



Skylights

FUTURE | GLASS



Features



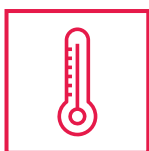
Customisation

Custom-manufactured with any glazing type (tempered, heat-strengthened, tinted, laminated, wired, polycarbonate, leaded, glass-clad polycarbonate, fire-rated and more).



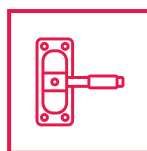
Daylighting Design

Blocks unwanted glare, while maximizing entry of light further into the space to reduce the need for artificial lighting.



Reduces Heating

The glass used to glaze **CONTROLVIEW** louver/blind systems facilitate the stream of daylight without compromising on thermal excellence. **CONTROLVIEW** glass panels reduce the solar heat gain, which in turn help to optimize HVAC costs. Further, **CONTROLVIEW** products reduce energy consumption enabling easier compliance with LEED.



Curtain Wall Adapter

A laboratory-tested aluminum adapter profile for exterior applications seamlessly transitions required thicknesses of **CONTROLVIEW** into standard curtain wall glass pockets without the need for modification.



Offers Greater Privacy

Among the significant challenges that architects and designers face with glass facades and panels is the issue of privacy - how do you retain the aesthetic elements of glass without compromising on privacy? **CONTROLVIEW**, with its in-built louvers/blinds, eliminates the need to have an external, independent system of blinds, which can significantly tarnish the visual appeal of glass panels. These integrated elements make it possible to control the visibility and daylighting capabilities of glass without impacting the appearance of the space negatively. Further, **CONTROLVIEW**'s hermetically sealed mechanism helps to regulate privacy depending on the occupant's requirement. With a range of manual and electronic control options available, adjusting the louvers/blinds becomes easier than ever before.



Lowers Total Cost of Ownership (TCO)

Every **CONTROLVIEW** product integrates louvers/blinds into a double-glazed glass cavity. This prevents any direct contact with the external environment. This eliminates the need for maintenance as the elements remains clean, hygienic and dust-free while requiring no cleaning and maintenance. With **CONTROLVIEW** glass panels, there is no need to install an independent system of blinds, have a team of people to clean them or allocate resources for fixing and repairing the blinds over time due to wear and tear.

FUTURE | GLASS



Why **CONTROLVIEW**

CONTROLVIEW offers optimum control over the light, heat and sound coming through glass panels. It is great when it comes to privacy, as it's hermetically sealed louver mechanism helps to regulate privacy depending on the occupant's requirement.

It's louvers prevents direct contact with external environment, thus eliminating the needs for the maintenance of the glass as it remains clean, hygienic and dust-free. It also meets the longstanding need for fire-rated louvered systems in healthcare and other environment.

CONTROLVIEW glass panels reduce the solar heat gain, which in turn help optimize HVAC costs.



Decreases Sound Seepage

Enables better control of sound coming from the surrounding environment



Enables easier LEED Compliance

A big advantage for the betterment of the environment



Easily Customizable

Total control over personalization



Stays Completely Dust-free

Less expenses for maintenance



Improves Hygiene

Provides a neat and clean atmosphere for interiors



Heightens Aesthetic Appeal

Professionally made to go well with modern interiors



Offers Superior Lighting Controls

Complete access to various degrees of lighting



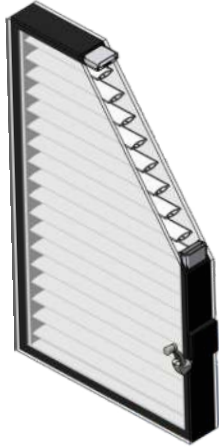
Enables Uncompromised Vision and Daylight

Clear and efficient control technology



FUTURE | GLAZING





CONTROLVIEW L

With integrated cord-free louvers

Future Glass presents a hermetically sealed glass unit combining louvers within glass in collaboration with Unicel Architectural. This product can be customized to virtually any shape for interior and exterior glazing applications. Its advanced louvered glazing technology eliminates strings and cords, ensures alignment, requires no maintenance and provides the ideal daylighting or privacy solution for commercial residential, educational, healthcare or institutional environments. When installed in exterior applications, **CONTROLVIEW L** significantly reduces energy consumption in support of LEED requirements.

Control Options



Thumbwheel

High-speed, self-reversing, suitable for limited spaces and accessible from one or both sides (available in black PVC or painted aluminum)



Crank Handle

Faster and easy to use, self-reversing, removable metal crank with one or two sided operation. Suitable for all applications. (available in white/gray)



Aluminum Knob

NEW faster-to-operate, self-reversing knob, one or two sided operation, ideal for sliding doors where space is limited



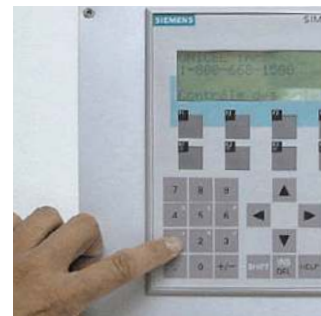
Anti-ligature Knob

NEW faster-to-operate, self-reversing cone-shaped knob, one or two sided operation, for mental health facilities (available in white, gray or black PVC)



Electrical

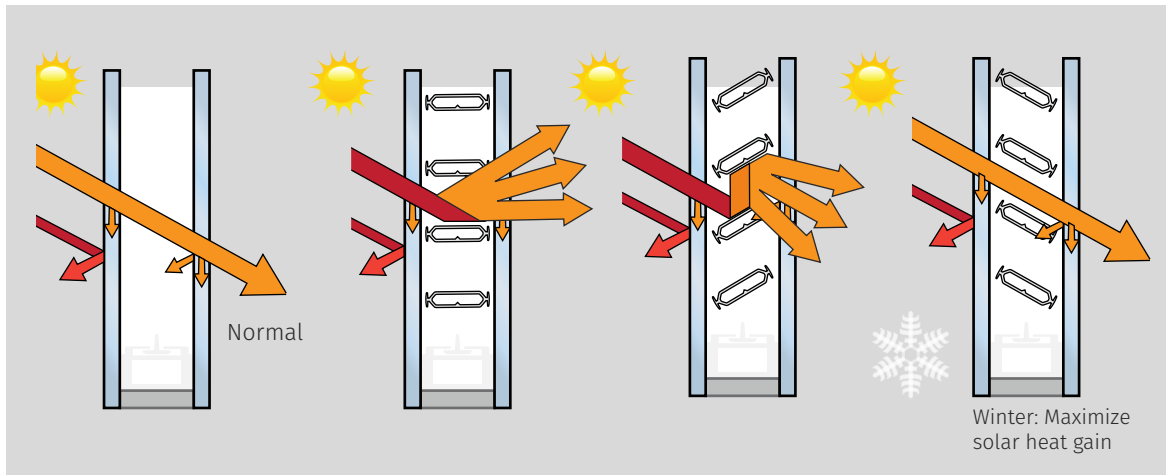
Speedy, precise, remote controllable with timer/sun sensor options. Ideal for multiple panel and out-of-reach installations



PLC Computerized System

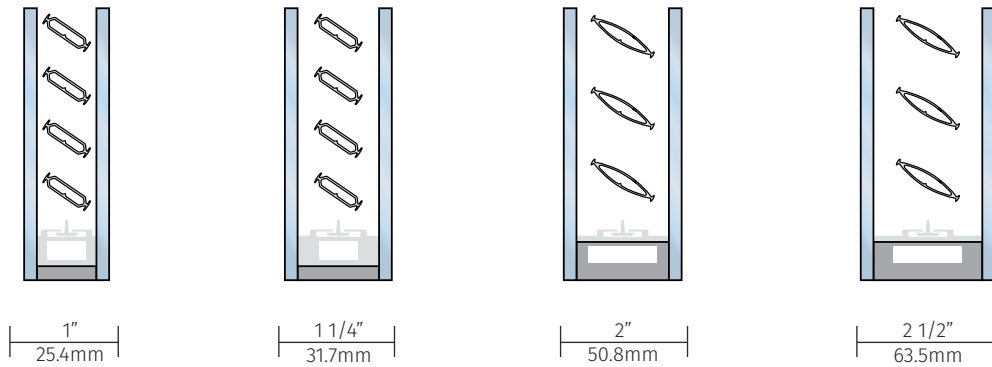
Highly accurate, timer/sun sensor options, ideal for large scale projects and intelligent buildings. connected to building automation systems (BAS)

How It Works



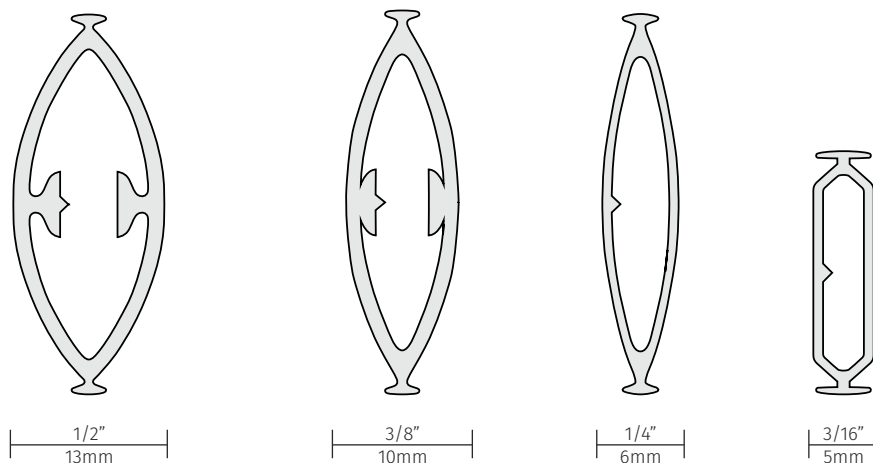
Spacer Options

For a wide range of interior and exterior applications



Louver Shapes and Sizes

To suit any application





FUTURE | GLAZING



VISIONCONTROL®

With Pilkington Pyrostop® Glazing

Fire Safety Solution for Hospitals

A patented solution from Unical Architectural, VISIONCONTROL® integrated cord-free louvers and TGP fire-rated glazing solutions meet longstanding need for fire-rated louvered systems in healthcare and other environments. This hermetically sealed system with UL-listed fire retardant capabilities provides unprecedented privacy control with fire ratings of 45, 60 and 90 minutes for doors, windows, transoms and sidelights.



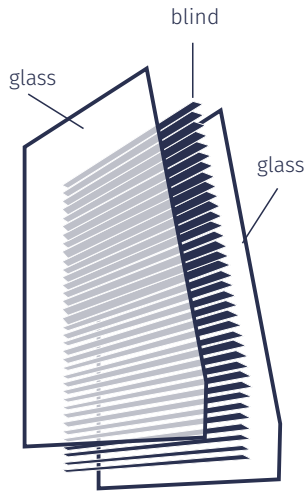
VISIONCONTROL® is a winner of The Architects' Choice Award from the National Symposium on Healthcare Design and a Product Innovation Award from Architectural Products Magazine.



FUTURE | GLAZING



CONTROLVIEW B



with integrated premium quality blinds

Future Glass, in collaboration with ScreenLine®, provides a system of blinds that are permanently sealed within a double-glazed cavity for a completely dust-free and maintenance-free environment.

CONTROLVIEW B ensures total protection against dirt, germs and weather conditions. **CONTROLVIEW B** provides protection from solar radiation and can quickly regulate the internal environmental lighting levels. It filters light transmission and controls the effects of daylight with a simple tilting/ lifting of the blinds. Heat and visual comfort are easily adjusted to accommodate the changing seasonal conditions.

Hermetically sealed, **CONTROLVIEW B** are produced with 12mm wide aluminum slats featuring a choice of colors. The versatility of both product choice and control mechanisms makes it suitable for all types of framing systems.

Our standard colors



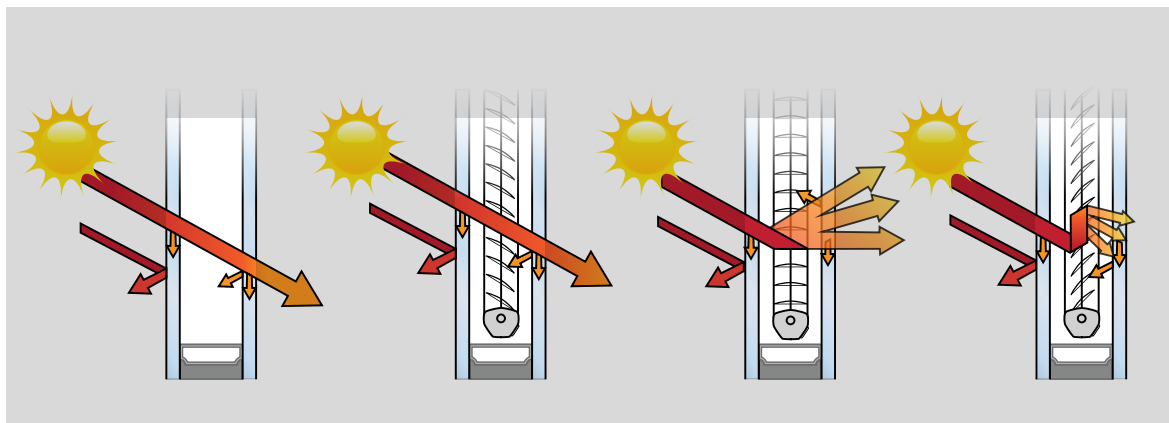
S102 White

S125 Beige

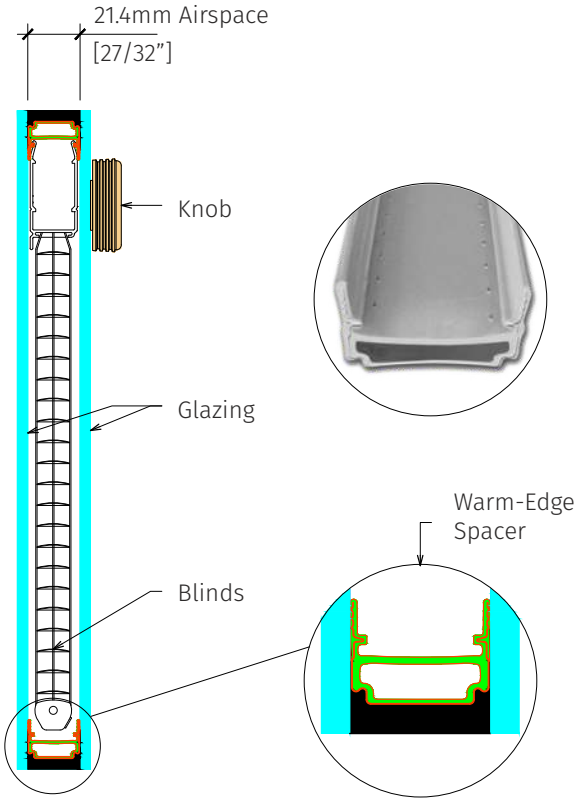
S157 Silver

Non-standard colors are also available. Contact us for more information.

How it works



Warm-edge Spacer



SL20 series of ScreenLine® designs

| Model | Function | Operator | Spacer |
|-------|-----------------------------|--|-----------|
| SL20A | Tilt Only | <ul style="list-style-type: none"> •Wand •Cord •Top frontal knob (1 or 2 sides) •External motor (switch or remote control) | Warm-edge |
| SL20C | Tilt and Raise | <ul style="list-style-type: none"> •Cord •External motor (switch or remote control) | Warm-edge |
| SL20P | Tilt Only | <ul style="list-style-type: none"> •Anti-ligature knob (1 or 2 sides) •Removable key operator | Warm-edge |
| SL20B | Tilt Only | Bottom frontal knob | Aluminum |
| SL20S | Tilt and raise | Side slider | Warm-edge |
| SL20M | Tilt only or Tilt and raise | Internal motor (switch or remote control) | Warm-edge |



FUTURE | GLAZING



Control Options



Manual Knob Control

Manual knob control system is a tilt-only Venetian blind, which is operated by an external knob fixed to the window frame.



Crank Handle

Manual bottom control system is a Venetian blind with tilt-only function, actuated by means of a magneticknob placed on the glass in the bottom area of the blind.



Sliding Magnetic Handle

The blind is raised and lowered (and tilted, in Venetian models) by means of a magnetic slider placed on the right or left-hand edge of the glass or on the sliding profile.



Cord-operated External Magnetic device/ External motor

System utilizes the force produced by two coupled rotational magnetic devices to raise and lower (and tilt, in Venetian models) the blind by means of a cord loop. Electric operation of this system is also possible by replacing the external magnetic device with an external motor.



Motorized Battery-operated

The motorized raising/lowering (and tilting, in Venetian models) function is carried out via a swipe control device (battery module) that is attached to the window frame or glass surface. By incorporating a radio receiver (option) within the battery module, remote control of the individual and groups of blinds are available.



Internal Motor Control

The blind operated by a 24V DC brushless motor incorporated within the head rail. The motor does not contain brushes (hence no wear and tear) and operates by means of an electro-magnetic field.

Who We Are

Future Architectural Glass, LLC (Future Glass) is a joint venture between a multinational and diversified Singapore corporation and a leading Indian glass conglomerate. The company has established itself as UAE's premium glass processor having the entire gamut of European machinery and systems to process any type of interior and exterior glass.

Since 1976, the group has been serving the needs of architectural glass market by providing latest products suiting the dynamic needs of architects/consultants. We started operations as a glass trading and distribution firm and ever since have expanded our products and services to include safety glass manufacturing and providing specialty glass solutions.

In the last four decades, we have diversified into several product lines encompassing exciting exteriors glazing products, comfortable interior

glazing, specialty design applications and high performance green building product solutions.

Our specialized products development unit, is dedicated to understand the changing needs of the architectural glass market and introduce innovative glass and glazing solutions for enhanced comfort, safety and performance. Spread over more than 30 countries worldwide, our strong client base is an indicator of our global reach and the trust we share with our customers.

Our ever-expanding presence with offices in UAE, India and Singapore helps us serve the varied needs of client promptly and efficiently. With multiple manufacturing bases in UAE and India, we are able to optimize resources and utilize the location advantage to the benefits of our global clientele.



Key Indicators



5

Million panels delivered worldwide

2

Manufacturing base – UAE and India

3

Regional headquarters – UAE, India, Singapore

4+

Decades Group's experience in Glass

35+

Countries exports worldwide

1000

Employees group strength

500,000

Sq.ft. area of Factory space

FUTURE

Tomorrow starts today

FUTURE



Other Creation Products:

VIVIDVIEW

Mesh in-filled glass

SPECTROVIEW

Colour laminated glass

SWITCHVIEW

Smart privacy glass

MEDIAVIEW

Digital Media glass

ONYXVIEW

Stone laminated glass

SOLERA

Real Daylighting solution

DYNAMICVIEW

Intelligent solar control

DIGIVIEW

Digital Frit Glass

SOLARVIEW

Photovoltaic glass

CHROMVIEW

Mirror Frit Glass

OFFICE

2411 Churchill Tower, Business Bay, PO Box 117259, Dubai

☎ +971 4 346 1279 | ✉ sales@faglass.com

WORKS

P278 Al Ghail Industrial Area, Ras Al Khaimah (UAE), PO Box 86001

☎ +971 7 258 9274 | 🖨 +971 7 258 9071

www.faglass.com

  /faglass