

asola VITRUM® Balcony

The solar laminated glass railing
with general technical approval (abZ)

COPYRIGHT BY

asola
Technologies

Reliable Quality from Germany

BUILDING PRODUCT WITH REFINANCING GUARANTEE!

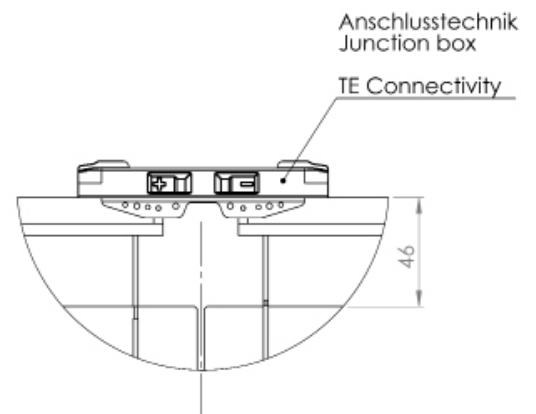
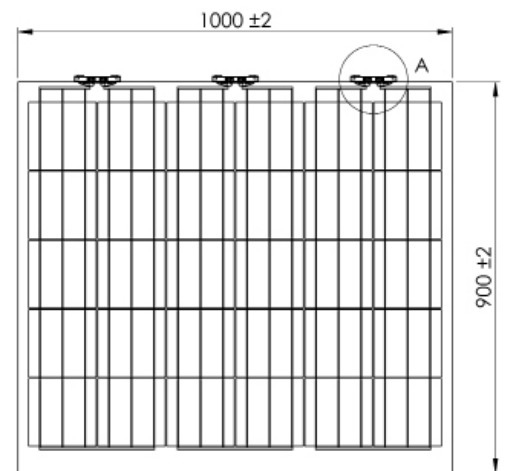
WITH OUR SOLAR RAILING SYSTEM YOU COMBINE PROVEN SAFETY WITH OUTSTANDING DESIGN & CLEAN ENERGY

- Glass-glass laminated solar elements for railings, french balconies and porches
- High-grade mounting set in brushed stainless steel finish
- The asola complete solution incl. solar element, railing system, inverters and cabling
- Different glass surfaces; e.g. clear glass, prism, enamelled
- Solar element optionally available as clear or tinted glass
- Blinded cable routing and connectivity for high design specifications
- Accident-proof building product in accordance with DIN 18008
- All components of premium quality „Made in Germany“
- Individual consulting and professional assembly by our local technical partners



www.asola-tech.de

Nennleistung max. Power	Wp	120
Anwendung Application		Brüstung, französische Balkone, Vordächer railing, french balcony, porch
Maße BxHxT Dimensions WxHxD	mm	1000 x 900 x 12
Gewicht Weight	kg	24
Glaskonfiguration Glass configuration	mm	5,0 ESG + 5,0 ESG 5,0 tempered glass + 5,0 tempered glass
Glas-Oberfläche Surface of the glass		klar, prismiert, emailiert clear glass, prism, enameled
Farben Colours		verschiedenfarbig variegated
Transparenz Transparency	%	19
Anschlussstechnik Connectivity		verdeckt blinded
Solarzelle Solar Cell		poly/mono kristallin poly/mono crystalline
Normen & Zulassung Certification		DIN 18008, abZ

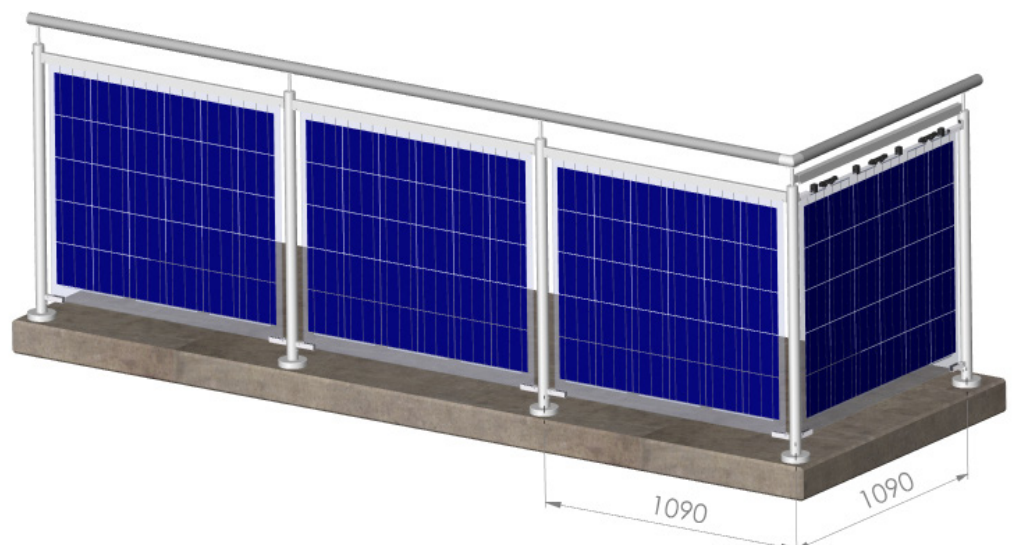


Die Solarelemente werden nach allen technischen Regeln gemäß der bekannten PV - Normen IEC 61215 und 61730 - 1/ -2 gefertigt. Stand 07/2015. Alle Abmaße ±2mm. Technische Änderungen vorbehalten. Alle Angaben ohne Gewähr.

The solar elements are manufactured according to all technical guidelines, known from PV-Standard rules of IEC 61215 and 61730 -1/ -2. Version 07/2015. Valid for all measurements ±2mm. Subject to technical alternations. No liability is assumed for particulars.

Railing system for solar application

- ➔ High-grade stainless steel finish in round and rectangular tubing
- ➔ Protected and concealed cabling, incl. through posts
- ➔ Independent handrail and edge protection
- ➔ Elements are variably adaptable



Warranty under German construction contract procedures | 10-year guarantee on material & manufacturing defects (product warranty) | 12-year limited guarantee on 90% of the power rating | 20-year limited guarantee on 80% of the power rating